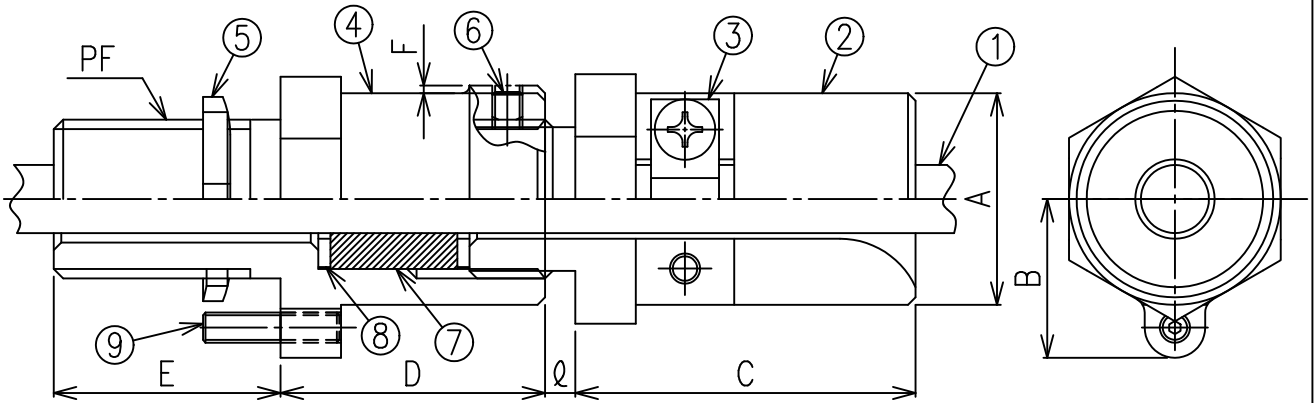


防爆構造: d2G4

型式 : NBG

ネジ込み耐圧パッキン式ベルマウス



外形寸法

| 型式 | 呼び | PF | φA | B | C | D | E | F |
|-----|----|--------|----|----|----|----|----|---|
| NBG | 16 | 1/2" | 28 | 21 | 45 | 35 | 30 | 1 |
| | 22 | 3/4" | 35 | 24 | 50 | 40 | 30 | 1 |
| | 28 | 1" | 44 | 29 | 55 | 45 | 30 | |
| | 36 | 1-1/4" | 53 | 33 | 60 | 50 | 33 | |
| | 42 | 1-1/2" | 61 | 39 | 75 | 55 | 35 | |
| | 54 | 2" | 74 | 46 | 75 | 55 | 35 | |
| | 70 | 2-1/2" | 90 | 58 | 80 | 57 | 38 | |

・移動機器にキャブタイヤケーブルを引き込む際に使用します。

| NO. | 名称 | 材質 | 数量 |
|-----|-----------|------------|----------|
| 1 | ケーブル | ゴム又はプラスチック | 1 |
| 2 | ベルマウスソケット | FC150 | 1 ※3 |
| 3 | クランプ | SS400 | 1 |
| 4 | 電線管ソケット | FC150 | 1 ※3 |
| 5 | ロックナット | SS400 | 1 |
| 6 | 止めネジ | SCM | 1 (2) ※1 |
| 7 | パッキン | クロロブレンゴム | 1 |
| 8 | 座金 | SS400 | 2 |
| 9 | 廻り止め | SCM | 1 (2) ※2 |

※1: (2) : PF1-1/2", PF2", PF2-1/2"

※2: (2) : PF2-1/2"

※3: 中村標準色: 7.5BG6/1.5

電線径一覧表

| 型式 | PF | 締付寸法 \varnothing | | | | | パッキン 外径 | パッキン 内径 |
|----------|--------|--------------------|-----------|-----------|------------|----------|------------|------------|
| | | 2.0 | 2.5 | 3.0 | 3.5 | 4.0 | | |
| NBG-16 | 1/2" | 8.0~8.4 | 8.5~8.9 | 9.0~9.3 | 9.4~9.7 | 9.8~10.0 | 18.0 | 10 |
| NBG-22-1 | 3/4" | 9.0~9.7 | 9.8~10.5 | 10.6~11.0 | | | 23.5 | 11.5 |
| NBG-22-2 | " | 11.0~11.2 | 11.3~11.8 | 11.9~12.5 | 12.6~13.0 | | 23.5 | 13.5 |
| NBG-22-3 | " | 13.0~13.5 | 13.6~14.0 | 14.1~14.5 | 14.6~15.0 | | 23.5 | 15.5 |
| NBG-28-1 | 1" | 15.0~15.4 | 15.5~16.0 | 16.1~16.6 | 16.7~17.0 | | 29.5 | 17.5 |
| NBG-28-2 | " | 17.0~17.4 | 17.5~17.9 | 18.0~18.4 | 18.5~19.0 | | 29.5 | 19.5 |
| NBG-36-1 | 1-1/4" | 18.0~18.5 | 18.6~19.3 | 19.4~20.0 | | | 38.0 | 21.0 |
| NBG-36-2 | " | 20.0~20.8 | 20.9~21.5 | 21.6~22.0 | | | 38.0 | 23.0 |
| NBG-36-3 | " | 22.0~22.6 | 22.7~23.3 | 23.4~24.0 | | | 38.0 | 25.0 |
| NBG-42-1 | 1-1/2" | 24.0~24.6 | 24.7~25.3 | 25.4~26.0 | | | 43.5 | 27.0 |
| NBG-42-2 | " | 26.0~26.5 | 26.6~27.2 | 27.3~28.0 | | | 43.5 | 29.0 |
| NBG-54-1 | 2" | 27.0~28.0 | 28.1~29.0 | | <ケーブル仕上外径> | | 55.5 | 30.0 |
| NBG-54-2 | " | 29.0~30.0 | 30.1~31.0 | | | | 55.5 | 32.0 |
| NBG-54-3 | " | 31.0~31.7 | 31.8~32.5 | 32.6~33.0 | | | 55.5 | 34.0 |
| NBG-54-4 | " | 33.0~34.0 | 34.1~35.0 | | | | 55.5 | 36.0 |
| NBG-70-1 | 2-1/2" | 35.0~35.9 | 36.0~37.0 | | | | 70.0 | 38.0 |
| NBG-70-2 | " | 37.0~38.2 | 38.2~39.0 | | | | 70.0 | 40.0 |
| NBG-70-3 | " | 39.0~40.4 | 40.5~41.0 | | | | 70.0 | 42.0 |
| NBG-70-4 | " | 41.0~41.9 | 42.0~43.0 | | | | 70.0 | 44.0 |
| NBG-70-5 | " | 43.0~43.9 | 44.0~45.0 | | | | 70.0 | 46.0 |
| NBG-70-6 | " | 45.0~45.6 | 45.7~46.5 | 46.6~47.0 | | | 70.0 | 48.0 |

寸法他仕様は予告無しに変更する場合があります。